



EC PRODUCTS DESIGN, INC.

INSTALLATION INSTRUCTIONS FOR EC173

EC Products Design would like to introduce you to the first fully automatic flush mount antenna for the 1968-78 Corvette EC173 (Chrome)

This antenna conversion (EC173) is intended to convert 1968 to 1978 Corvettes that originally were equipped with a manual antenna. This conversion is not intended to replace the original power antenna on Corvettes from 1978-1982. At one time, no replacement unit was available for the original power antenna on the 1978-1982. Now a reproduction power antenna unit is available to replace the original power antenna for the years 1978-1982. The part number for that replacement unit is E6365.

NOTE: On cars without side-mount exhaust, it may be necessary to remove the driver's side muffler for easy access.

1. Inspect the antenna to verify that it contains the following:

1 antenna assembly	1 long lead-in cable
1 nut	1 long red/green wiring harness
1 bezel	1 short lead-in cable/wiring harness combination
1 gasket	
1 adapter	1 perforated metal strap
1 package of screws and connectors	

2. Remove the existing antenna and coaxial cable. Retain the underbody reinforcement, noting its position before removal.

3. Remove the nut, bezel and gasket from the new antenna. **IMPORTANT: Do not operate the antenna with the top nut removed! This will eject the antenna mast. The antenna will then have to be returned for repair at your expense, or you can call our tech line (805-466-4781) for help.** NOTE: The two piece top nut has been joined with locktite – do not separate.

4. Insert the antenna through the underbody reinforcement and up through the fender (see Drawings A and F).

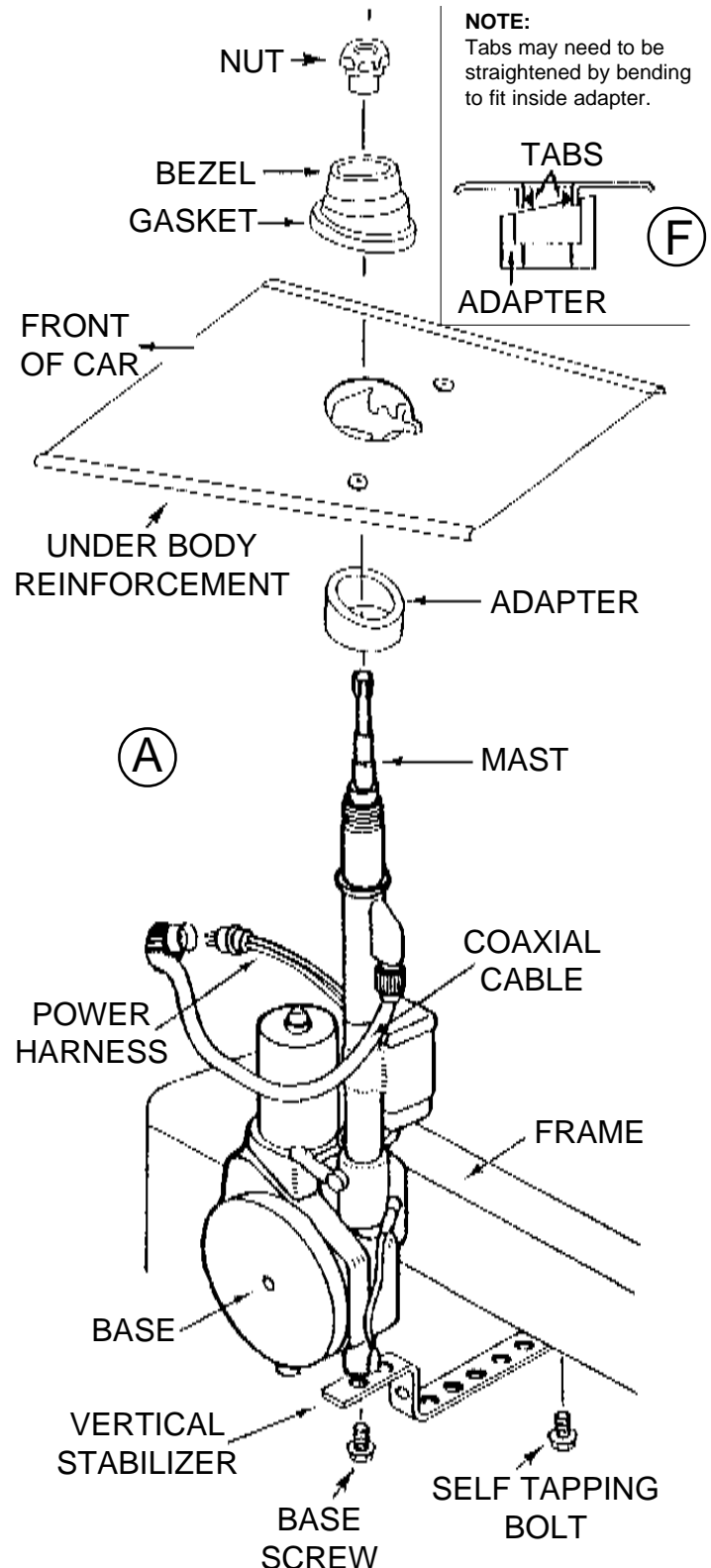
5. Have a friend assist by installing the gasket, bezel and nut. Screw the nut down only enough to support the antenna – do not tighten.

6. Route the power harness and coaxial cable along the driver's side of the car under the carpeting following the path of the old coaxial cable. To do this, remove the side kick panel, door still plate, and rear quarter trim panel. Pull the carpet back only far enough to route the cables.

7. Connect the power harness to power referring to Drawing C. (See other side.) This connection operates the antenna by the ignition switch. If your radio has an antenna power lead (after-market radio is usually green), just plug the green wire into it. Your antenna will operate by the radio ON/OFF switch.

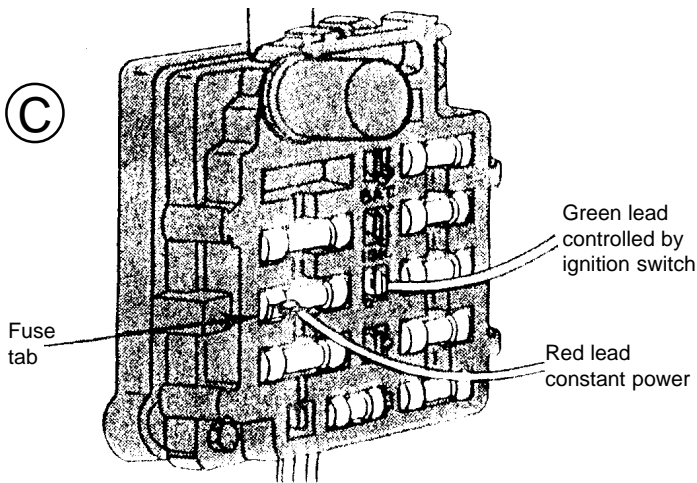
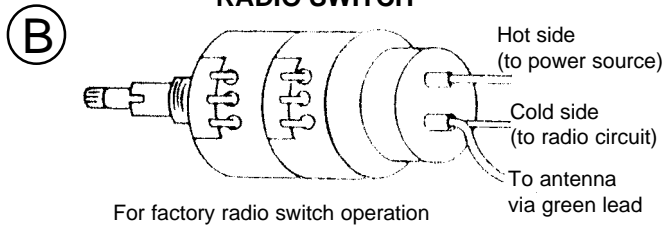
Drawing B (see other side) shows how it is possible to tap into the original radio switch to get power for the green wire. (Experience recommended!)

Under all circumstances the red wire must be fused by the fusebox or by an inline fuse which is not included (10 amp max).



1968-1978
APPLICATION

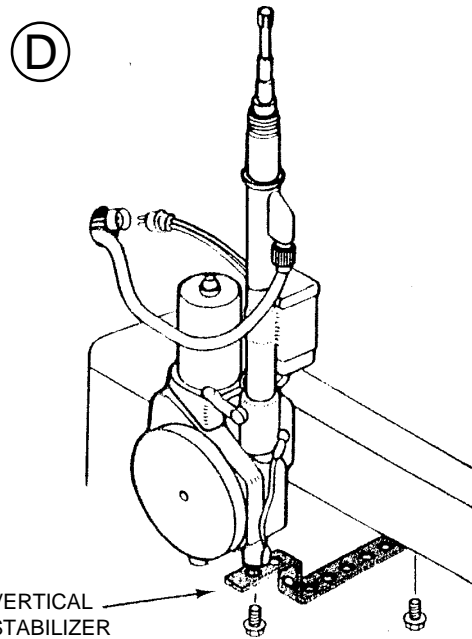
RADIO SWITCH



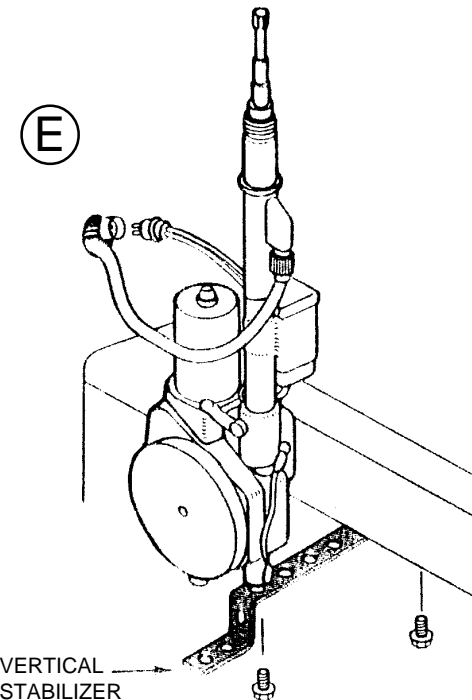
NOTE: On this type fuse box, it will be necessary to remove red wire terminal connector (and green, if your radio doesn't have a power lead) and replace it with female connector(s) supplied.

8. Temporarily ground the antenna base screw to the frame with a jumper lead and run the mast to the extended position.
9. Rotate the antenna base so the adapter fits flush under the body while the antenna remains vertical.
10. While gently pushing up on the antenna base, tighten the nut. (The bezel must be rotated to fit the body while holding the antenna vertically.) NOTE: Do not overtighten or damage will result.
11. Connect the vertical stabilizer (the perforated metal strip) to the antenna base with the Phillips screw supplied but do not tighten. (See Drawings D and E.)
12. Position the stabilizer as shown in the drawings and mark through one of the holes, keeping the antenna vertical.
13. Drill a 7/32" diameter hole in the frame where you just marked. Insert the self-tapping screw supplied and tighten securely. (See Drawing A.)
14. Tighten the base screw securely.
15. Plug the coaxial cable into the radio and check operation of the radio.

1968-1973
VERTICAL STABILIZER
INSTALLATION



1974-1978
VERTICAL STABILIZER
INSTALLATION



NOTE: If you encounter problems installing your antenna, call (805) 466-4781 and a technician will be available to assist you.

EC Products Design Inc. assumes no responsibility for damage to the antenna, car or person due to improper connections, pinched wires or modifications to the unit or items in the kit other than specified in the instructions.